

# PB.F

## FOAM ANTI-VIBRATION WALL BRACE

### Description

The anti-vibration wall braces Vibro-PB.F are used in order to add structural integrity of long and tall gypsum board walls, which are mounted on antivibration pads or based on a floating floor. They avoid any direct connection between the double walls and increase their stiffness. It is useful when a secondary wall is applied for improved sound insulation where rigid connections will cause unwanted sound bridges.

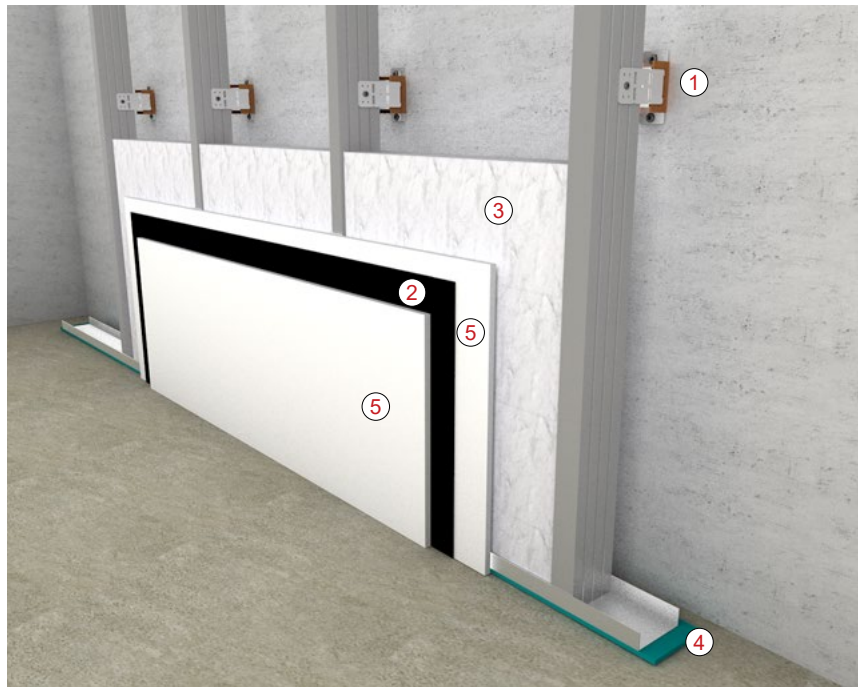
Vibro-PB.F consists of a double metal frame, suitable reinforced and modulated. In the middle, there is a high-quality polyurethane foam with semi-closed cells, under trademark Regufoam®, which avoids the transmission of vibrations while providing optimal acoustic results. Its metal assembly is a “fail-safe” structure in fire and impact resistance applications. Reduces wall bending in the event of seismic stimulation.

### Applications (floating wall):

Vibro PB.F vibration isolators wall braces are designed mainly for the floating sound-proofed walls. These mounts can also be used for hanging horizontal pipes, air ducts, or any type of lightweight machinery that needs to be isolated.



- ① Vibration Hanger / Brace  
Vibro PB.F
- ② Mass Vinyl Noise Barrier  
ISOLfon - Barrier
- ③ Sound Absorption Polyester fiber slabs  
izIFON
- ④ Regufoam® strip vibration foam
- ⑤ Gypsum Board

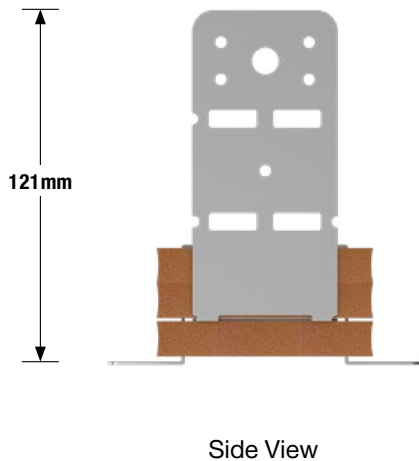
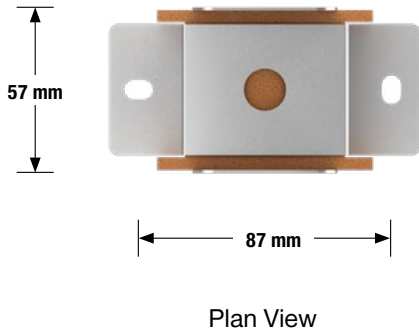


### Selection Table

TYPE	COLOR CODE	MAX AXIAL RESTRAINT (daN)
Vibro - PB.F 10	Black	10
Vibro - PB.F 20	Grey	20
Vibro - PB.F 40	Beige	40

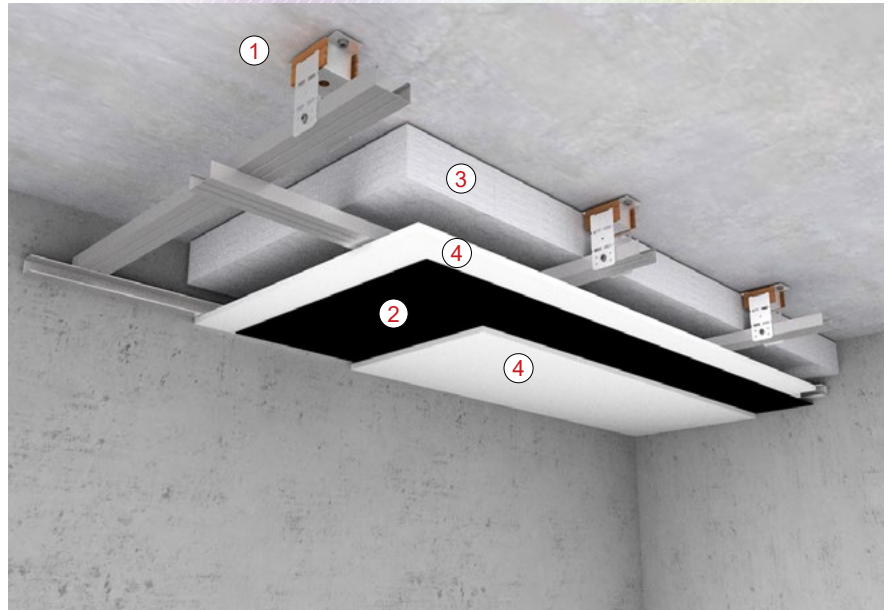
# Vibro-PB.F

## FOAM ANTI-VIBRATION WALL BRACE



### Applications (floating ceiling):

Vibro PB.F vibration proof hangers can be also applied on floating insulating gypsum board ceiling applications. A typical example is illustrated below:



- ① Vibration Hanger / Brace  
Vibro PB.F
- ② Mass Vinyl Noise Barrier  
ISOLfon - Barrier
- ③ Sound Absorption Polyester fiber slabs  
IZIFON
- ④ Gypsum Board

### Dynamic Characteristics

Natural frequency (at maximum load) :

- 14 Hz (12.5mm foam thickness)
- 10 Hz (25mm foam thickness)

Design and Production according to Quality Management System **ISO 9001.2008** & Environmental Management System **ISO 14001.2004**