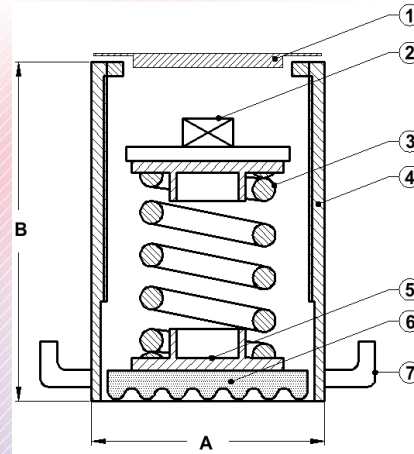


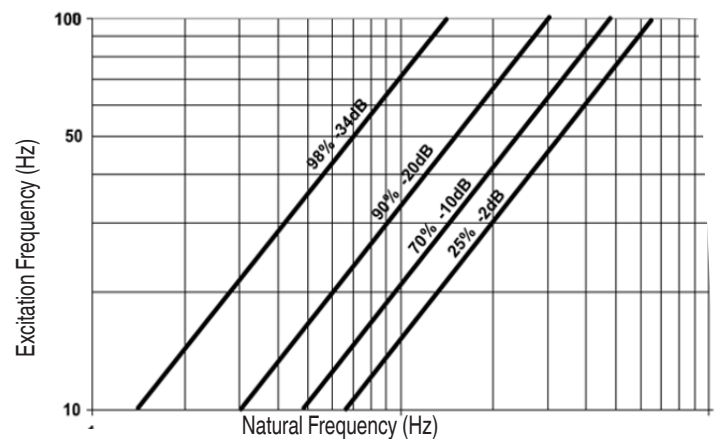
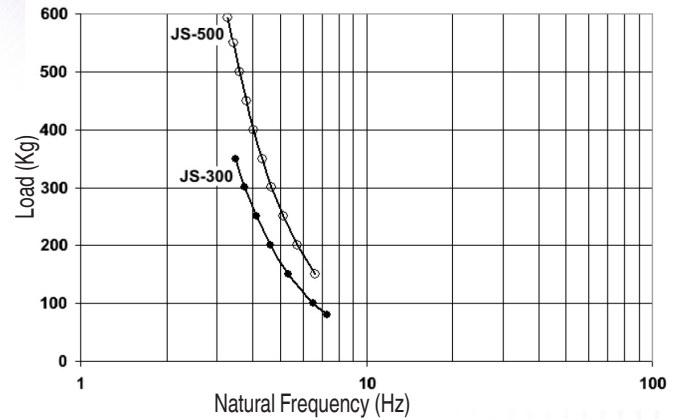
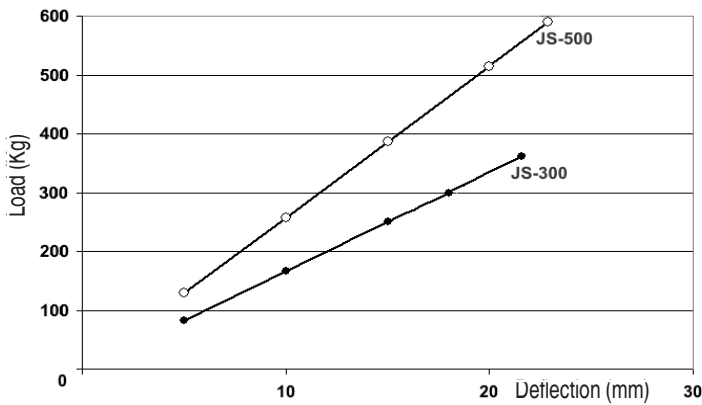
# Vibro-JS

## ANTI-VIBRATION JACK-UP SPRING MOUNT for CONCRETE FLOATING FLOORS

1. Cover plate
2. Regulation elevation mechanism
3. Antivibration Spring
4. Housing
5. Spring support
6. Antivibration Rubber pad
7. Concrete reinforcing holding



### DYNAMIC CHARACTERISTICS



For achieving optimum results in special applications, we recommend to contact our technical department for selecting the best antivibration solution.

Design and Production according to Quality Management System ISO 9001.2008 & Environmental Management System ISO 14001.2004