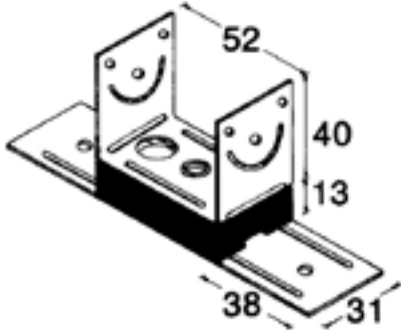


# Vibro-FM

## WOODEN FLOOR MOUNT ISOLATOR



**Vibro-FM** was developed in order to reduce the impact noise of wooden parquet floors. Impact noise refers to sound produced when a short duration impulse, acts directly on a structure. **Vibro-FM** pads, are useful for the reduction of noise coming from the floor above the sound receiver. The floor pads consist of metallic and rubber parts connected accordingly and as a result they prevent the creation of acoustic bridges.

Weighted Normalised impact sound pressure level  $L_n'w = 53 \text{ dB}$  was measured at the acoustic Laboratory of National Technical University of Athens in accordance with international standards ISO 140- 6 and ISO 717- 2.

Inside the specially modulated receptor  $\perp$  a wooden batten or metal profile of floating walls (steel frame, metal studs etc.) can be installed and fixed on the lateral flaps with bolts. **Vibro-FM** can be fixed on the floor (or the wall) with expansion bolts or inox nails. The floor should not lay against the wall, and for that reason the specially designed elastic profile **VIBRO-band** should be applied between the floor and the wall around the room.

### QUANTITY

6 - 8 items per  $\text{m}^2$

### MAXIMUM LOAD

80 daN per mounting point



Design and Production according to Quality Management System ISO 9001.2008 & Environmental Management System ISO 14001.2004