

# Vibro-EM.2

## METAL-RUBBER MOUNT (Type 2)



**Vibro-EM.2** is a result of specialized research and is made of a combination of rubber and metal-bonded parts. The metal cap provides protection from various fluids, like oil and water. In addition, it protects the main body of the antivibration mount from the sun, increasing its life time.

The metal cover is made of galvanized metal sheet which protects it from oxidation. The rest of the metal parts are covered by rubber for better oxidation protection, whilst the top and bottom surfaces have special linings that increase friction and reduce the slipping surface.

A special marking (W ... : White, B .. : Blue, R . : Red ) identifies the hardness of the rubber and the maximum load it can sustain.

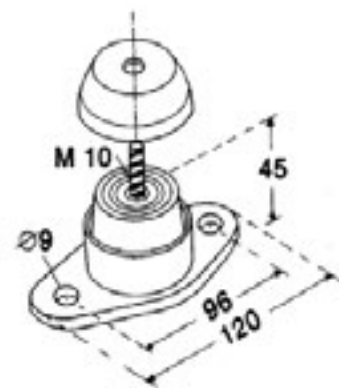
**Vibro - EM.2** can be used in Air handling units, air-conditioning, pumps, air compressors, ventilators, transformers, motor generators, Cutting machines, Printing machines, elevators, etc.

### Selection Table

TYPE (Intentification Code)	MAXIMUM LOAD (daN)
Vibro-EM.2 (R .)	40
Vibro-EM.2 (B .. )	80
Vibro-EM.2 (W ... )	150

### Dynamic Characteristics

Deflection: 3 mm at maximum load  
 Natural Frequency: 10 Hz at maximum load



Design and Production according to Quality Management System ISO 9001.2008 & Environmental Management System ISO 14001.2004