

Vibro.SiL-EM.2

SILICONE ANTIVIBRATION METAL - RUBBER MOUNTS

Description

The advanced design of **Vibro.SiL-EM.2** is a result of specialized research and it is made by a high quality silicone polymers. Provides an effective shock and vibration isolation protection, as well as structure-borne noise reduction, much higher than natural rubber and thermoplastic compounds. It can achieve a large deflection capacity and a low resonance point. It offers suitable damping of shocks excitations.

Silicone polymers offers very good weathering properties, ozone UV resistant, ideal for out-door use. Suitable for frost and snow conditions. The metal cover provides an extra protection from various fluids, like oil and water. All the metal parts are covered by silicone rubber, providing an oxidation protection.

Silicones gel is softer than natural/viscoelastic rubber and others thermoplastic compounds.

Applications

The silicone anti-vibration metal - rubber mounts, **Vibro.SiL-EM.2** can offer high vibration protection for compressors, pumps, fans, exhaust gas pipes / muffler support, sensitive electronic equipment, in avionic, military and medical applications, where a wide temperature range (-40 to +200°C) occurs.

Suitable also for food-industry applications.

Technical Characteristics

- Wide operating temperature range: -40 to +200°C, providing stable performance
- Very low compression set
- Long term durability and stability
- Environment-friendly. No harmful additives are contained
- Low odor

Vibro.SiL-EM.2 Selection Table

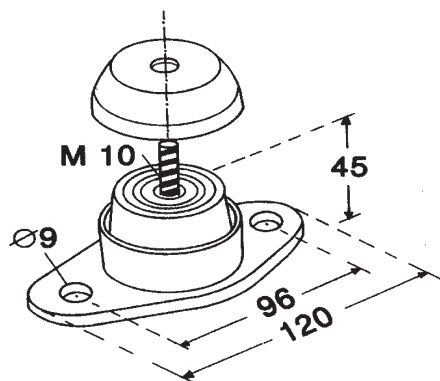
TYPE	Color Code	MAXIMUM LOAD (kp*)
Vibro.SiL - EM.2	Natural	20
Vibro.SiL - EM.2	Red	50
Vibro.SiL - EM.2	Blue	100

*1 kp = 10 N

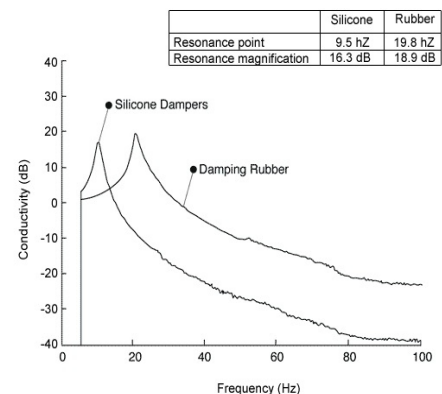
Dynamic Characteristics

Deflection (at maximum load): 4 mm

Natural Frequency: 8 Hz



Typical characteristics of Silicone VS Rubber mounts (By bibliography)



Design and Production according to Quality Management System ISO 9001.2008 & Environmental Management System ISO 14001.2004