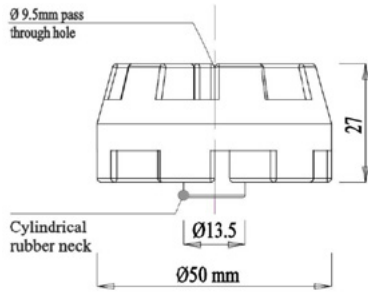
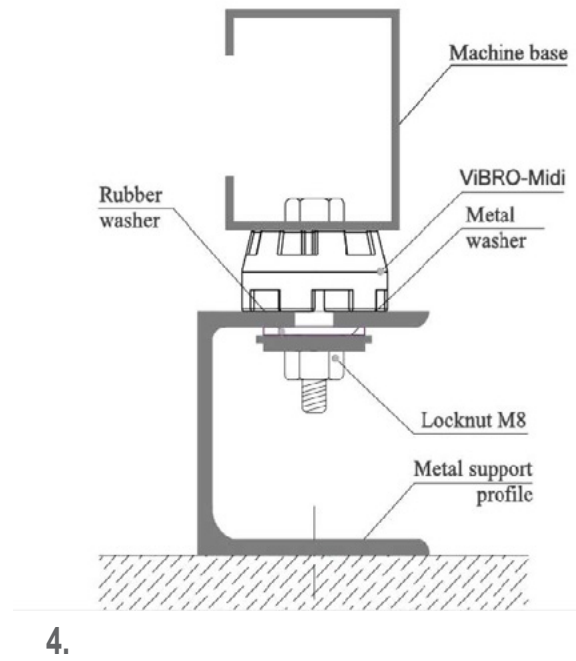
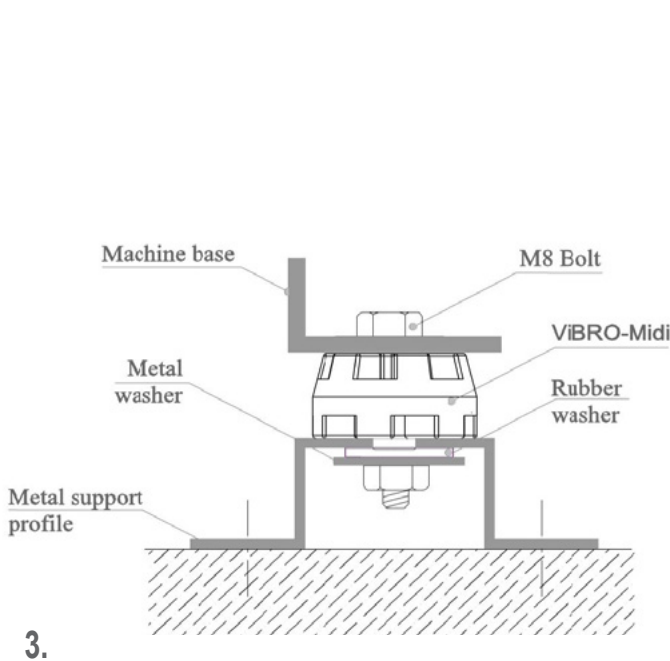
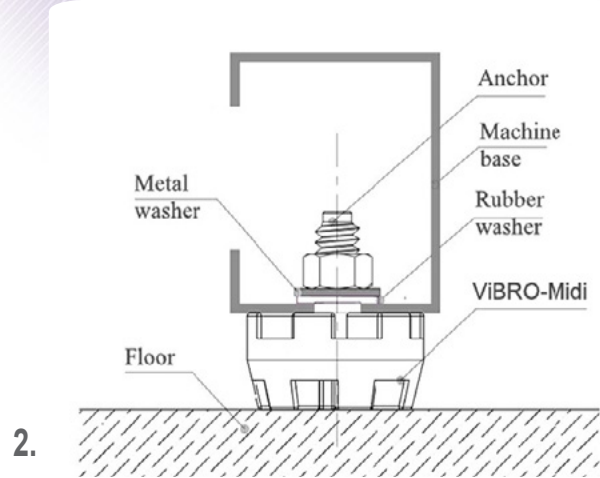
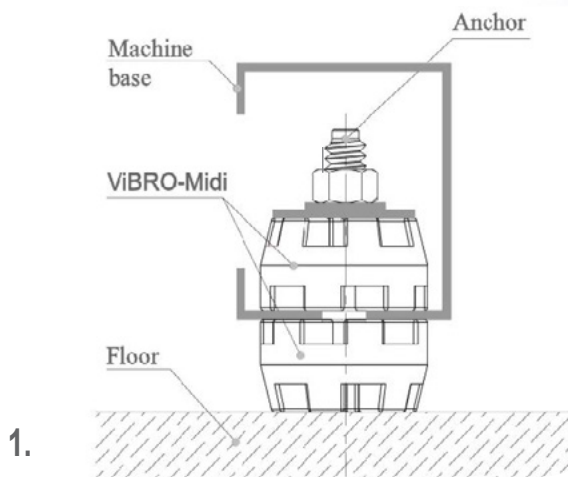


*Midi*

ANTI-VIBRATION RUBBER SUPPORT

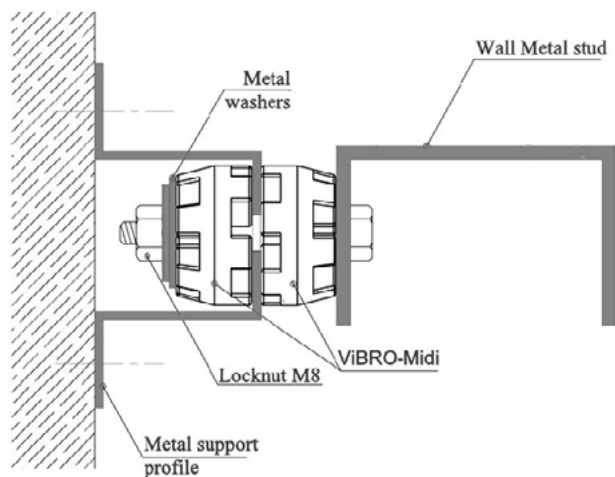


INDICATIVE APPLICATIONS



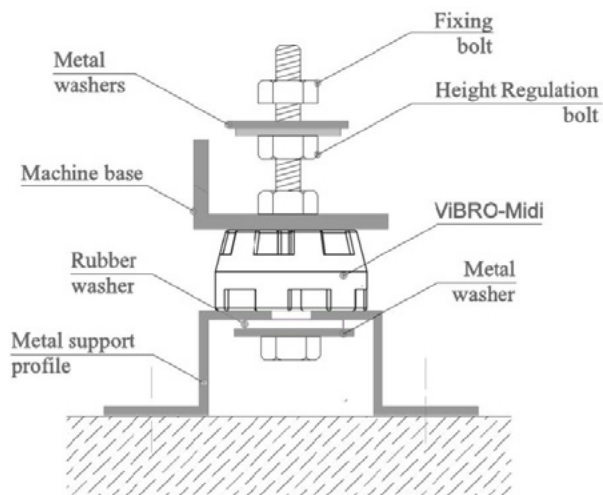
### INDICATIVE APPLICATIONS

Wall Brace



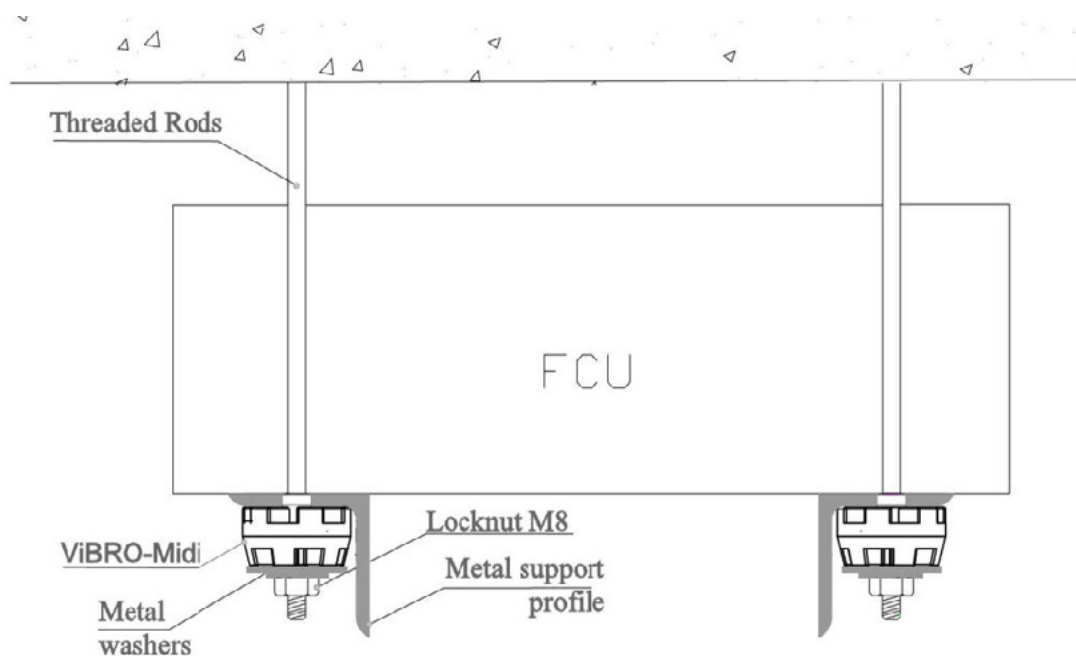
5.

Height regulation



6.

### Anti- Vibration Hanger



7.

For technical support in different applications, please contact our technical department

Design and Production according to Quality Management System ISO 9001.2008 & Environmental Management System ISO 14001.2004